



XDC 4500 C

Product family description

Digital Xenon Cinema lamps – Bring movies to life Digital Xenon Cinema lamps are ideal for today's demanding 3D and 2D digital cinema presentations. These lamps produce the very high light output needed to maximize screen brightness and enhance the dramatic effect for the viewer. These digital lamps are individually customized per projector: there is a different, perfect-fitting lamp for each projector model to ensure optimized projector performance. These long-life digital lamps also provide constant color temperature characteristics, and meet all of the stringent arc-stability requirements for consistent customer satisfaction.

Product Features

- Higher light output than standard lamps
- Customized by projector model
- Pure xenon fill gas
- Proprietary electrode design

Product Benefits

- Increased brightness on the screen
- Optimum projector performance
- Constant color temperature
- High arc stability

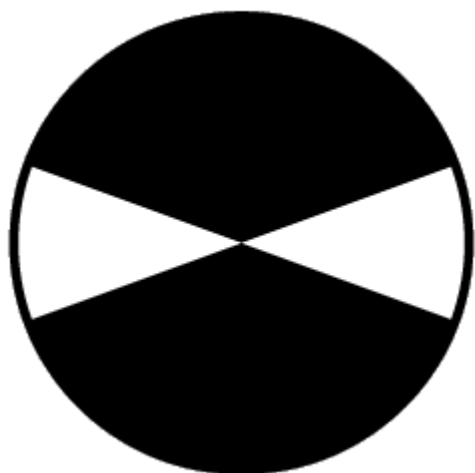
| Product data | |
|------------------------|----------------|
| Order code | 302134 00 |
| Full product name | XDC 4500 C |
| Packing type | Unpacked |
| Pieces per pack | 1 |
| Net weight per piece | 0.905 KG |
| Successor order code | |
| Operating Position | p20 |
| Main Application | Cinema |
| Additional Information | DC |
| Packing Type | UNP [Unpacked] |
| Packing Configuration | 1 |
| Average Lifetime | 1000 hr |
| Lamp Wattage | 4500W |

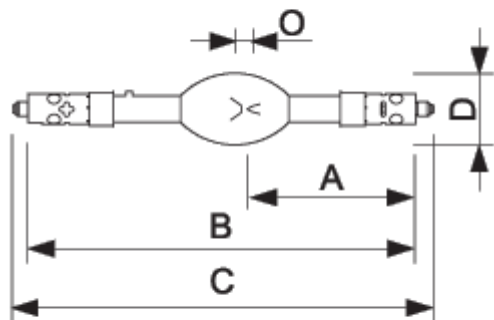
PHILIPS

| Product data | |
|------------------------|--------|
| Technical Type | 4500 |
| Lamp Wattage Technical | 4500 W |
| Lamp Voltage | 33 V |
| Lamp Current | 140 A |
| Luminous Flux Lamp | - Lm |



XDC-4500C

XDC 4500W DC**Operating Position p20**



XDC-4500C

XDC 4500W DC

| | A | B | C | D | E | O |
|-------------------|-----|-----|-----|-----|-----|-----|
| Full product name | Nom | Max | Max | Nom | Nom | Nom |
| XDC 4500 C | 165 | 381 | 413 | 70 | - | 6.0 |

| | X |
|-------------------|-----|
| Full product name | Nom |
| XDC 4500 C | - |



©2009 Koninklijke Philips Electronics N.V.

All rights reserved. Reproduction in whole or in part is prohibited without the prior written consent of the copyright owner. The information presented in this document does not form part of any quotation or contract, is believed to be accurate and reliable and may be changed without notice. No liability will be accepted by the publisher for any consequence of its use. Publication thereof does not convey nor imply any license under patent- or other industrial or intellectual property rights.

Document order number : 0000 000 00000